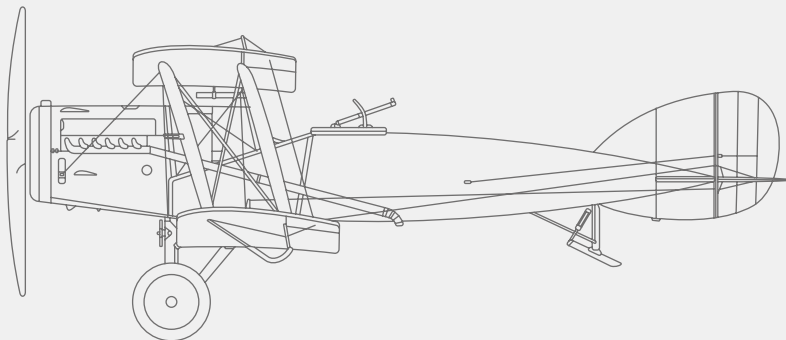


FLIGHT MANUAL

BRISTOL SCOUT

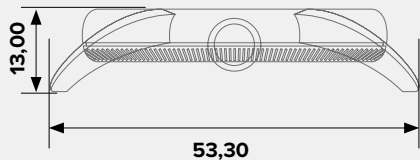
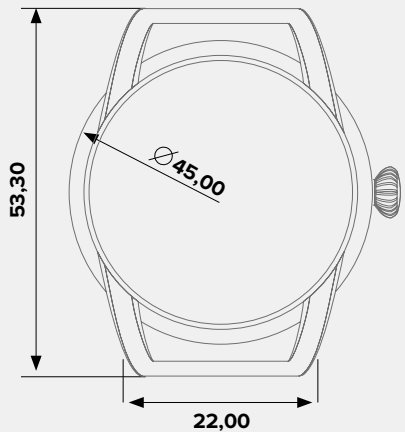


MANUFACTURER: AVIATOR WATCH SA

AIRCRAFT TYPE: BRISTOL SCOUT 1264

REFERENCE NUMBERS: V.3.18.0.160.4, V.3.18.0.161.4,
V.3.18.5.162.4, V.3.18.8.162.4

DIMENSIONAL DATA



TECHNICAL SPECIFICATIONS

Functions

Hours, minutes, small second, date

Movement type

Automatic, Sellita SW 290-1

Crown

Non screw-locked / two gaskets

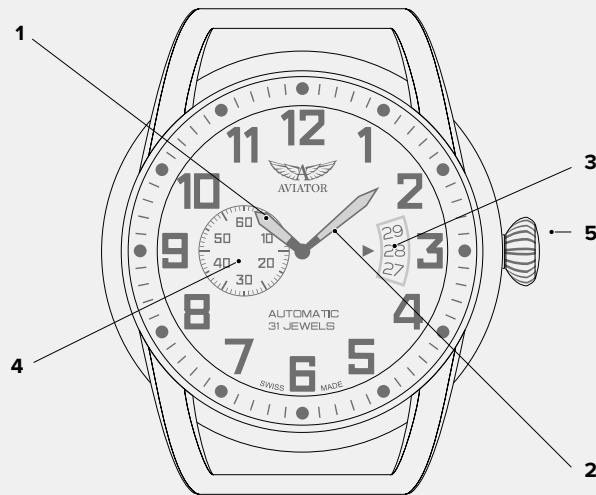
Crystal

Sapphire crystal / glare-proofed / scratch-resistant

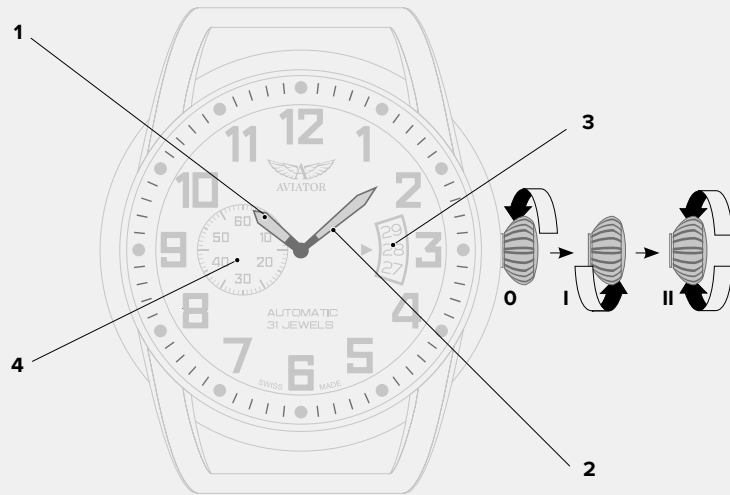
Water resistant

100 M (330 ft)

INTERFACE LAYOUT



- | | | | |
|---|--------------|-----------------------|---|
| 1 | Hour hand | Small seconds counter | 4 |
| 2 | Minute hand | Crown | 5 |
| 3 | Date display | | |



1	Hour hand	Working position	0
2	Minute hand	Date setting position	I
3	Date display	Time setting position	II
4	Small seconds counter		

BASIC FUNCTIONS

STARTING THE WATCH

Your AVIATOR watch is self-winded and has 38 hours power reserve. It means that when the watch is worn, the automatic mechanism will wind the movement. However, if you leave the timepiece for prolonged time and the watch stops, you need to wind the movement by rotating the crown clockwise (approximately 40 revolutions of the crown will be enough, be careful, as the winding mechanism does not have a stop to prevent over winding).



Always return the crown to position 0 to ensure your watch is water resistant.

DATE SETTING

First, set the time to 12 midnight in order to know the exact starting point of 24 hours. To set the date on your AVIATOR watch, pull the crown to position I, turn the crown forward to choose the correct date. Once the date is set correctly, push the crown to position II and set the time. When you finish the set-up, do not forget to push the crown back to position 0.

If a month has fewer than 31 days, you will need to set the date manually to the first day of the following month.



Make sure you **DO NOT** set the date between the times 9 PM (21:00) and 3 AM (03:00). It might damage the mechanism.

TIME SETTING

Pull out the crown to position II. This will stop the movement to set the time accurately to the second. It is the best to stop the movement as the seconds hand passes "60". Now move the minute hand a little bit beyond the time to be set. Then adjust the position of minute hand by moving it backward to the correct minute stroke. This ensures that the minute hand starts to move just when you restart the movement. To make the watch working again push the crown back to position 0.